



**ZENDOME.20HE / FLOORSYSTEM**

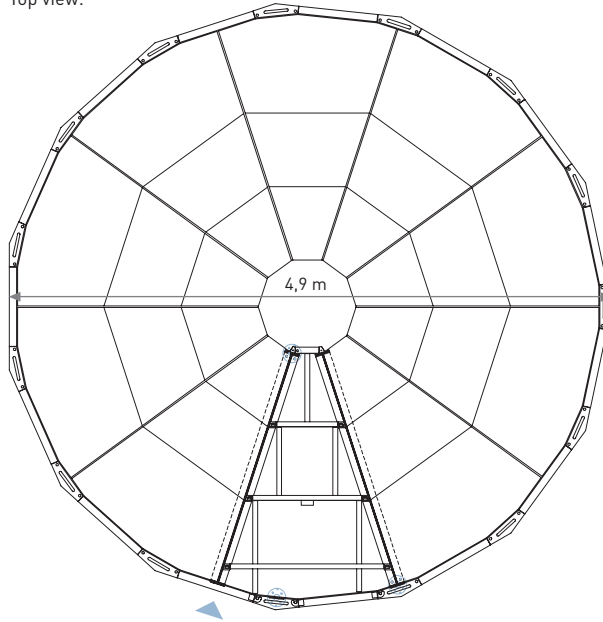
Elegant and stylish: The ZENDOME.floorsystem for the exclusive Home & Garden will complete your dream of a guest-, garden- or children play house.

ZENVISION GmbH

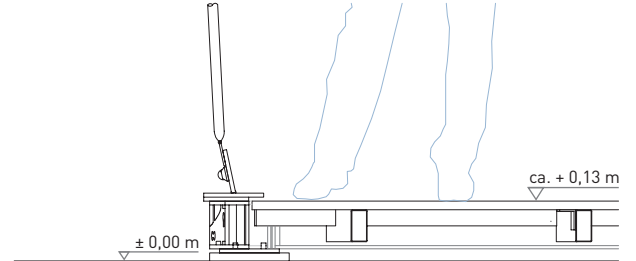
Prenzlauer Promenade 189  
D-13198 Berlin  
www.zenvision.de

T +49 30 473 776 20  
F +49 30 473 776 29  
info@zenvision.de

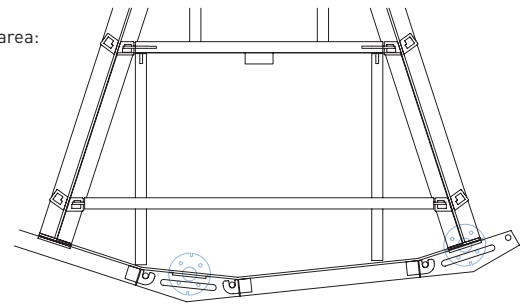
Top view:



Section boundary area:



Floor plan boundary area:



**SPACE**

Diameter floor-system	4,9 m
Height floor-system (without underpinning)	0,13 m
Length of ramps	3,2 m

**MATERIAL & DETAILS**

Substructure	steel galvanised
Ground plates	Multiplex, 21 mm, sealed edges
Number of segments	10
Number of ground boxes	30
Middle circle	one piece
Number of radial beams	10
Number of outer beams	15
Number of foot boxes	15
Number of base discs / points of support	18

**LOADING PARAMETER**

Weight of heavy-load floor-system	1.150 kg
Total weight of packed heavy-load floor-system	1.366 kg
Loading meter of heavy-load floor-system	1,3 m
Number of transport stanchions, stackable	2
Transport stanchion (L x W x H)	2,28 x 1,22 x 1,14 m
Tare weight of transport stanchion	108 kg
Necessary additional loads (DIN 4112)	-
Total weight of heavy-load floor-system w. additional loads	-
Number of possible ramps	1

**ASSEMBLING & DISMANTLING**

Assembling time	2 – 3 h
Dismantling time	1 – 2 h
Team size (pax)	2 – 3

**NOTES:**

- The construction time refers to an experienced team. For first construction you need to calculate a longer construction time.
- In order to unload the transport rack a fork lift with min. 1500 kg load capacity is required.
- According to the location and local building laws anchoring to secure system may be needed.
- Presented drawings are to express system and deviate in reality. All sizes, weights and volumes listed in this table are rounded approximations and may deviate due to varying materials or production processes.



**ZENDOME.30M / FLOORSYSTEM**

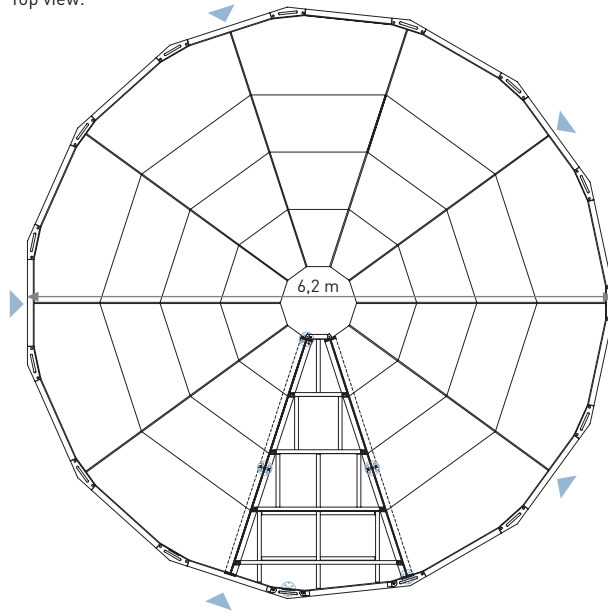
The heavy-load floor for any ground situation. Flexibly usable with many details and no need for ground anchoring. In order to spare luxury lawns, natural habitats or cobbled market squares.

ZENVISION GmbH

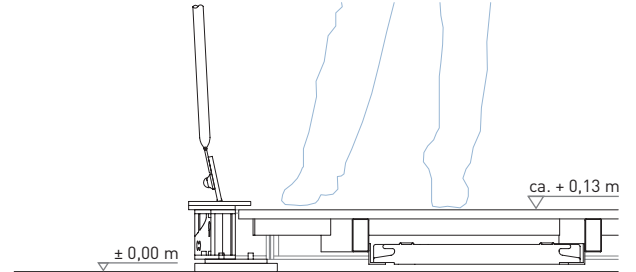
Prenzlauer Promenade 189  
D-13198 Berlin  
www.zenvision.de

T +49 30 473 776 20  
F +49 30 473 776 29  
info@zenvision.de

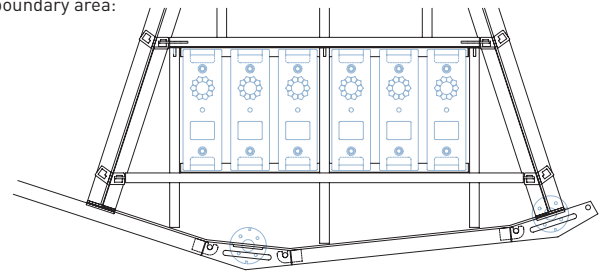
Top view:



Section boundary area:



Floor plan boundary area:



SPACE	
Diameter floor-system	6,2 m
Height floor-system (without underpinning)	0,13 m
Length of ramps	3,2 m

MATERIAL & DETAILS	
Substructure	Steel galvanised
Ground plates	Multiplex, 21 mm, sealed edges
Number of segments	10
Number of ground boxes	40
Middle circle	one piece
Number of radial beams	20
Number of outer beams	15
Number of foot boxes	15
Number of base discs / points of support	28

LOADING PARAMETER	
Weight of heavy-load floor-system	1.700 kg
Total weight of packed heavy-load floor-system	1.916 kg
Loading meter of heavy-load floor-system	1,3 m
Number of transport stanchions, stackable	2
Transport stanchion (L x W x H)	2,28 x 1,22 x 1,14 m
Tare weight of transport stanchion	108 kg
Necessary additional loads (DIN 4112)	-
Total weight of heavy-load floor-system w. additional loads	-
Number of possible ramps	1

ASSEMBLING & DISMANTLING	
Assembling time	2 – 3 h
Dismantling time	1 – 2 h
Team size (pax)	2 – 3

**NOTES:**

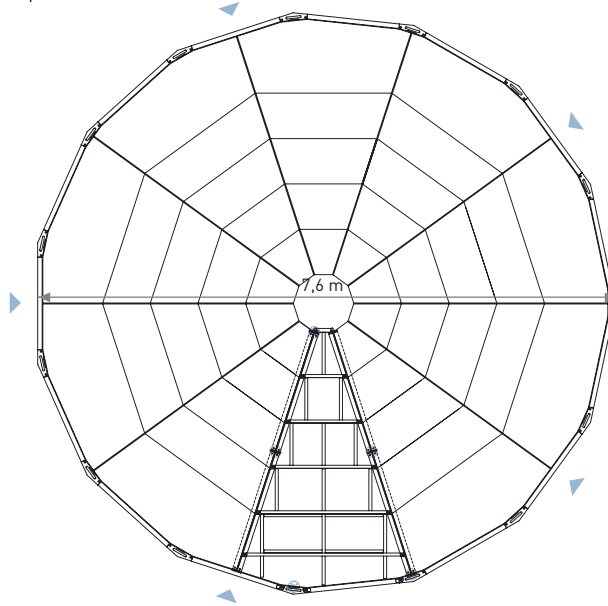
- The construction time refers to an experienced team. For first construction you need to calculate a longer construction time.
- In order to unload the transport rack a fork lift with min. 1500 kg load capacity is required.
- According to the location and local building laws additional weights to secure system may be needed.
- Presented drawings are to express system and deviate in reality. All sizes, weights and volumes listed in this table are rounded approximations and may deviate due to varying materials or production processes.



**ZENDOME.45M / FLOORSYSTEM**

Safe construction, high quality material: the individual parts of the floor are pre-assembled which makes the construction easier and saves valuable time during successful events.

Top view:

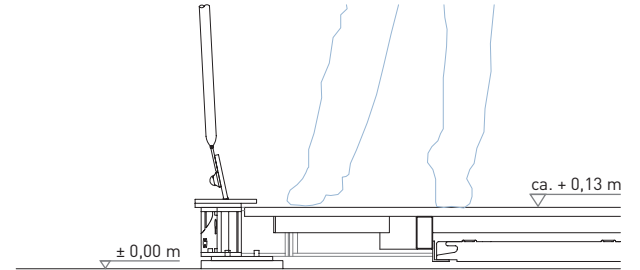


SPACE	
Diameter floor-system	7,6 m
Height floor-system (without underpinning)	0,13 m
Length of ramps	3,2 m

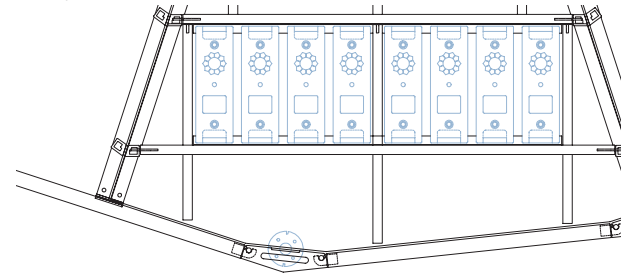
MATERIAL & DETAILS	
Substructure	Steel galvanised
Ground plates	Multiplex, 21 mm, sealed edges
Number of segments	10
Number of ground boxes	50
Middle circle	one piece
Number of radial beams	20
Number of outer beams	15
Number of foot boxes	15
Number of base discs / points of support	28

ZENVISION GmbH Prenzlauer Promenade 189 T +49 30 473 776 20  
D-13198 Berlin F +49 30 473 776 29  
www.zenvision.de info@zenvision.de

Section boundary area:



Floor plan boundary area:



LOADING PARAMETER	
Weight of heavy-load floor-system	2.200 kg
Total weight of packed heavy-load floor-system	2.632 kg
Loading meter of heavy-load floor-system	2,6 m
Number of transport stanchions, stackable	4
Transport stanchion (L x W x H)	2,28 x 1,22 x 1,14 m
Tare weight of transport stanchion	108 kg
Necessary additional loads (DIN 4112)	80 x 25 kg
Total weight of heavy-load floor-system w. additional loads	4.200 kg
Number of possible ramps	1 – 3

ASSEMBLING & DISMANTLING	
Assembling time	2 – 3 h
Dismantling time	1 – 2 h
Team size (pax)	3 – 4

**NOTES:**

- The construction time refers to an experienced team. For first construction you need to calculate a longer construction time.
- In order to unload the transport rack a fork lift with min. 1500 kg load capacity is required.
- Maximum windload according to DIN 4112. According to the location and local building laws additional weights to secure system may be needed.
- Presented drawings are to express system and deviate in reality. All sizes, weights and volumes listed in this table are rounded approximations and may deviate due to varying materials or production processes.



**ZENDOME.75M / FLOORSYSTEM**

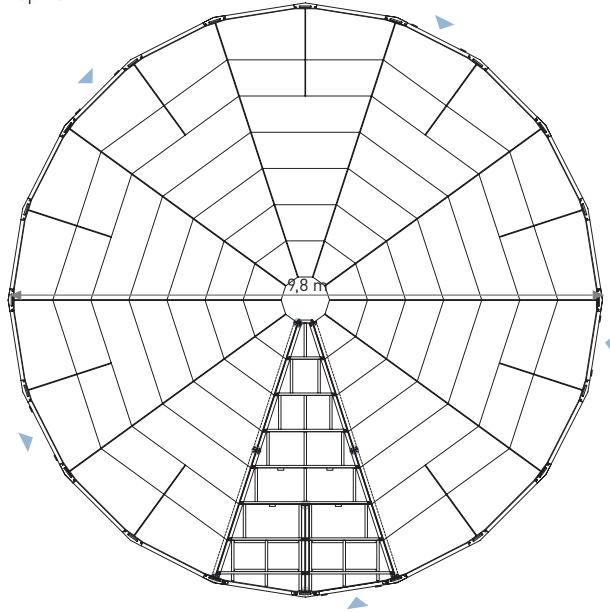
The heavy-load floor-system exclusively developed for all ZENDOME and equipped with many details. Quality and design for a sustainable and flexible use.

ZENVISION GmbH

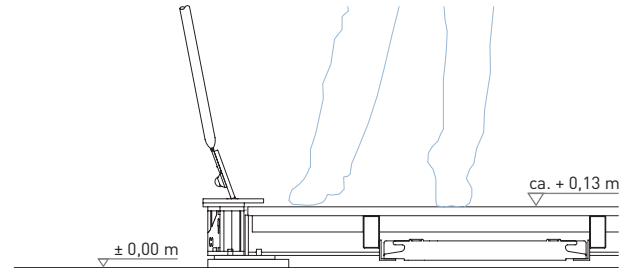
Prenzlauer Promenade 189  
D-13198 Berlin  
www.zenvision.de

T +49 30 473 776 20  
F +49 30 473 776 29  
info@zenvision.de

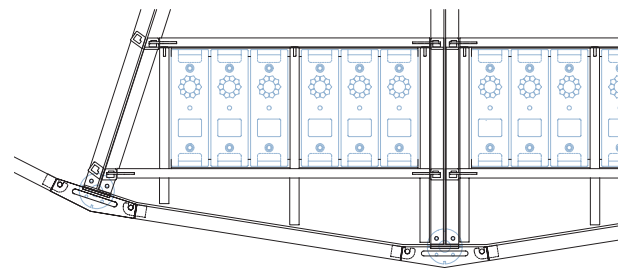
Top view:



Section boundary area:



Floor plan boundary area:



**SPACE**

Diameter floor-system	9,8 m
Height floor-system (without underpinning)	0,13 m
Length of ramps	3,2 m

**MATERIAL & DETAILS**

Substructure	Steel galvanised
Ground plates	Multiplex, 21 mm, sealed edges
Number of segments	10
Number of ground boxes	90
Middle circle	one piece
Number of radial beams	30
Number of outer beams	20
Number of foot boxes	20
Number of base discs / points of support	43

**LOADING PARAMETER**

Weight of heavy-load floor-system	3.500 kg
Total weight of packed heavy-load floor-system	4.040 kg
Loading meter of heavy-load floor-system	3,9 m
Number of transport stanchions, stackable	5
Transport stanchion (L x W x H)	2,28 x 1,22 x 1,14 m
Tare weight of transport stanchion	108 kg
Necessary additional loads (DIN 4112)	144 x 25 kg
Total weight of heavy-load floor-system w. additional loads	7.100 kg
Number of possible ramps	1 – 3

**ASSEMBLING & DISMANTLING**

Assembling time	2 – 3 h
Dismantling time	1 – 2 h
Team size (pax)	5 – 6

**NOTES:**

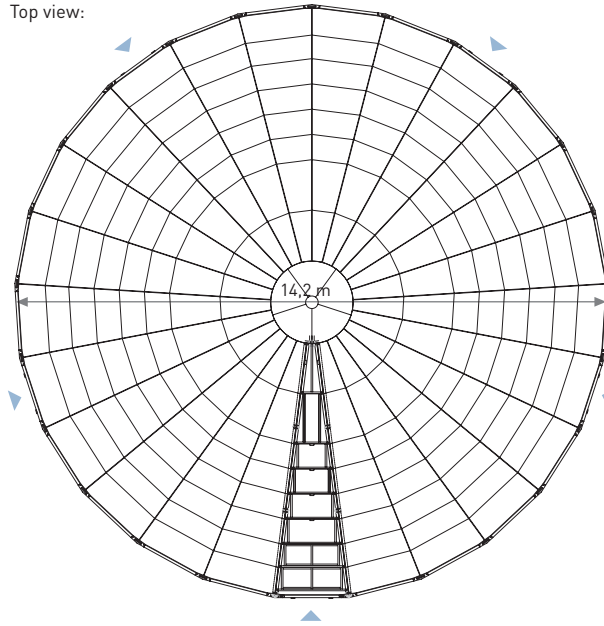
- The construction time refers to an experienced team. For first construction you need to calculate a longer construction time.
- In order to unload the transport rack a fork lift with min. 1500 kg load capacity is required.
- Maximum windload according to DIN 4112. According to the location and local building laws additional weights to secure system may be needed.
- Presented drawings are to express system and deviate in reality. All sizes, weights and volumes listed in this table are rounded approximations and may deviate due to varying materials or production processes.



**ZENDOME.150M / FLOORSYSTEM**

Flexible weights let the ZENDOME.floorsystem adjust to different construction situations. Invisible and adjustable as a stable basis for successful events.

Top view:



**SPACE**

Diameter floor-system	14,2 m
Height floor-system (without underpinning)	0,13 m
Length of ramps	3,2 m

**MATERIAL & DETAILS**

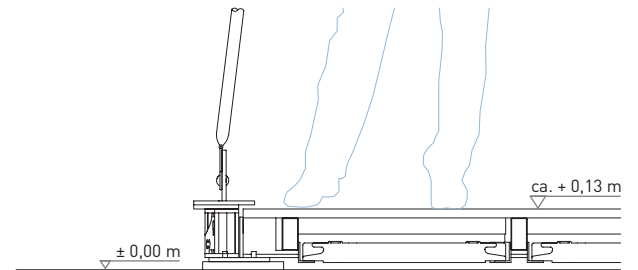
Substructure	Steel galvanised
Ground plates	Multiplex, 21 mm, sealed edges
Number of segments	25
Number of ground boxes	200
Middle circle	six pieces
Number of radial beams	75
Number of outer beams	25
Number of foot boxes	25
Number of base discs / points of support	85

ZENVISION GmbH

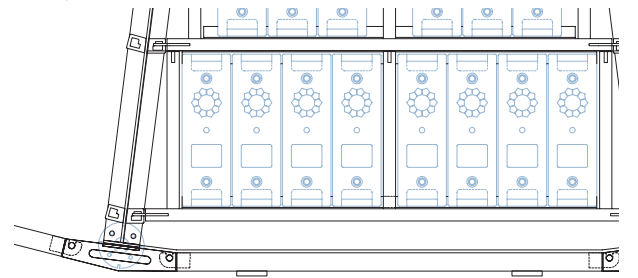
Prenzlauer Promenade 189  
D-13198 Berlin  
www.zenvision.de

T +49 30 473 776 20  
F +49 30 473 776 29  
info@zenvision.de

Section boundary area:



Floor plan boundary area:



**LOADING PARAMETER**

Weight of heavy-load floor-system	8.000 kg
Total weight of packed heavy-load floor-system	9.080 kg
Loading meter of heavy-load floor-system	6,5 m
Number of transport stanchions, stackable	10
Transport stanchion (L x W x H)	2,28 x 1,22 x 1,14 m
Tare weight of transport stanchion	108 kg
Necessary additional loads (DIN 4112)	270 x 25 kg
Total weight of heavy-load floor-system w. add. loads	14.750 kg
Number of possible ramps	1 - 3

**ASSEMBLING & DISMANTLING**

Assembling time	4 - 6 h
Dismantling time	3 - 5 h
Team size (pax)	6 - 8

**NOTES:**

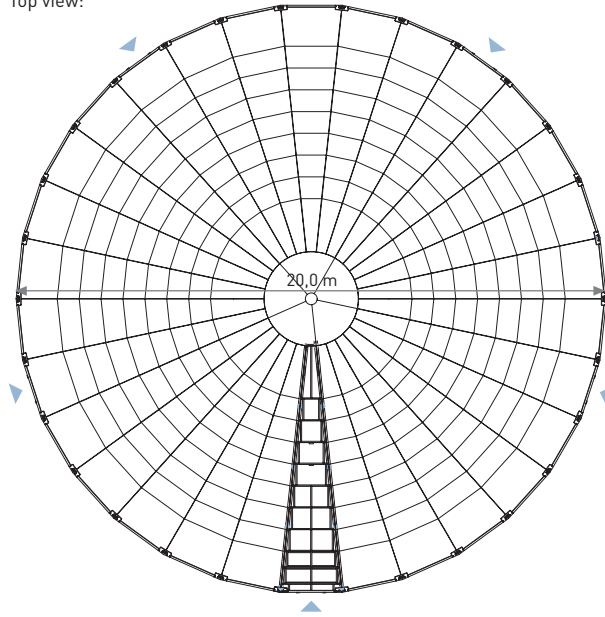
- The construction time refers to an experienced team. For first construction you need to calculate a longer construction time.
- In order to unload the transport rack a fork lift with min. 1500 kg load capacity is required.
- Maximum windload according to DIN 4112. According to the location and local building laws additional weights to secure system may be needed.
- Presented drawings are to express system and deviate in reality. All sizes, weights and volumes listed in this table are rounded approximations and may deviate due to varying materials or production processes.



**ZENDOME.300M / FLOORSYSTEM**

The ZENDOME.floorsystem, developed as a heavy-load floor is constructed using almost no screws. This is tidy, very chic and saves time.

Top view:



**SPACE**

Diameter floor-system	20,0 m
Height floor-system (without underpinning)	0,13 m
Length of ramps	3,2 m

**MATERIAL & DETAILS**

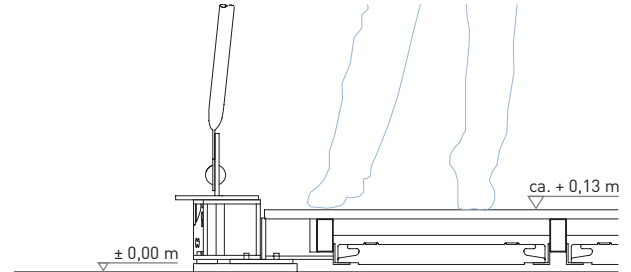
Substructure	Steel galvanised
Ground plates	Multiplex, 21 mm, sealed edges
Number of segments	30
Number of ground boxes	300
Middle circle	six pieces
Number of radial beams	120
Number of outer beams	30
Number of foot boxes	30
Number of base discs / points of support	130

ZENVISION GmbH

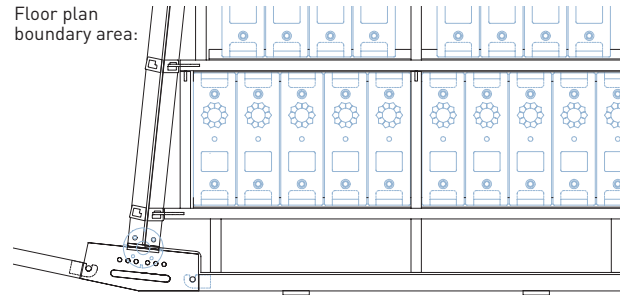
Prenzlauer Promenade 189  
D-13198 Berlin  
www.zenvision.de

T +49 30 473 776 20  
F +49 30 473 776 29  
info@zenvision.de

Section boundary area:



Floor plan boundary area:



**LOADING PARAMETER**

Weight of heavy-load floor-system	13.900 kg
Total weight of packed heavy-load floor-system	16.060 kg
Loading meter of heavy-load floor-system	13 m
Number of transport stanchions, stackable	20
Transport stanchion (L x W x H)	2,28 x 1,22 x 1,14 m
Tare weight of transport stanchion	108 kg
Necessary additional loads (DIN 4112)	600 x 25 kg
Total weight of heavy-load floor-system w. add. loads	28.900 kg
Number of possible ramps	1 - 5

**ASSEMBLING & DISMANTLING**

Assembling time	6 - 8 h
Dismantling time	5 - 7 h
Team size (pax)	8 - 10

**NOTES:**

- The construction time refers to an experienced team. For first construction you need to calculate a longer construction time.
- In order to unload the transport rack a fork lift with min. 1500 kg load capacity is required.
- Maximum windload according to DIN 4112. According to the location and local building laws additional weights to secure system may be needed.
- Presented drawings are to express system and deviate in reality. All sizes, weights and volumes listed in this table are rounded approximations and may deviate due to varying materials or production processes.